

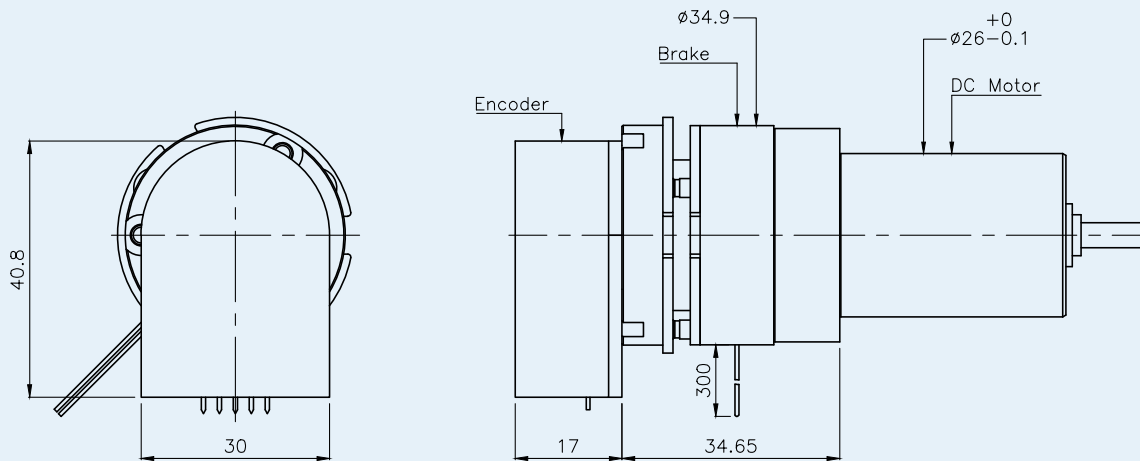
## Brake + Encoders

power-off holding brake

### PFB35

Brake		PFB35A-24V	PFB35B-24V
Function		Power-off holding brake	
Rated Voltage	VDC	24	24
Rated Static torque	mNm	120	360
Rated current	A	0.16	0.25
Rated power	W	3.9	6
Moment of inertia	gcm <sup>2</sup>	12	15
Allowable speed	rpm	5 000	5 000
Weight	g	75	90
Length with mounting adaptor (L)	mm	35	41

Dimensional drawing A - 2642W024CR+PFB35-24V+HE500-2 / HE1000-3L



Dimensional drawing B - 2642W024CR+PFB35-24V+IE3-1024

