

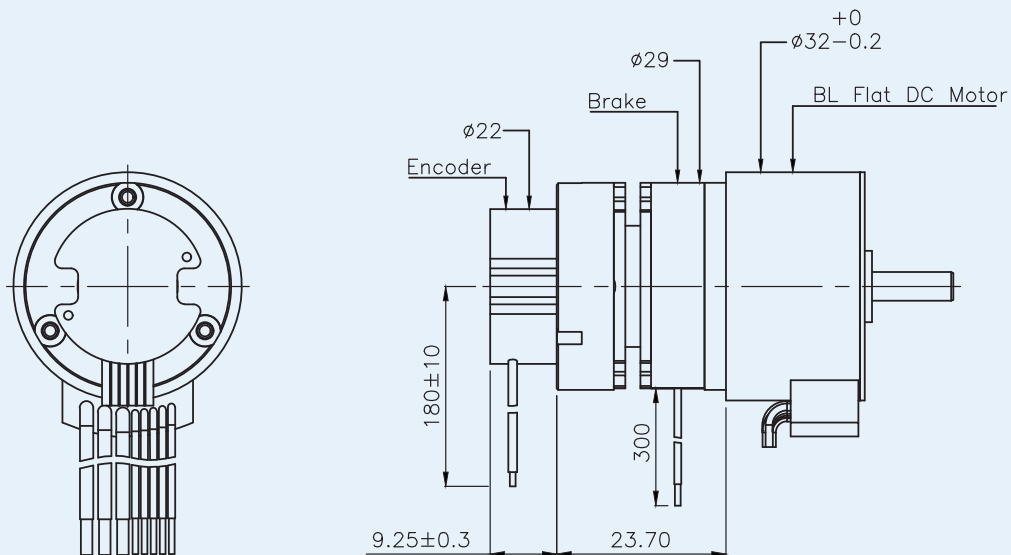
Brake + Encoders

power-off holding brake

PFB29E-24V

Brake		PFB29E-24V	Connection
Function		Power-off holding brake	
Rated Voltage	VDC	24	
Rated Static torque	mNm	160	
Rated current	A	0.42	
Rated power	W	10	
Moment of inertia	gcm ²	12	
Allowable speed	rpm	5000	
Weight	g	36	

Dimensional drawing A - 3216WXXXBXTH+PFB29E-24V+IE3-1024



Dimensional drawing B - 4221GXXXBXTH+PFB29E-24V+IE3-1024

