

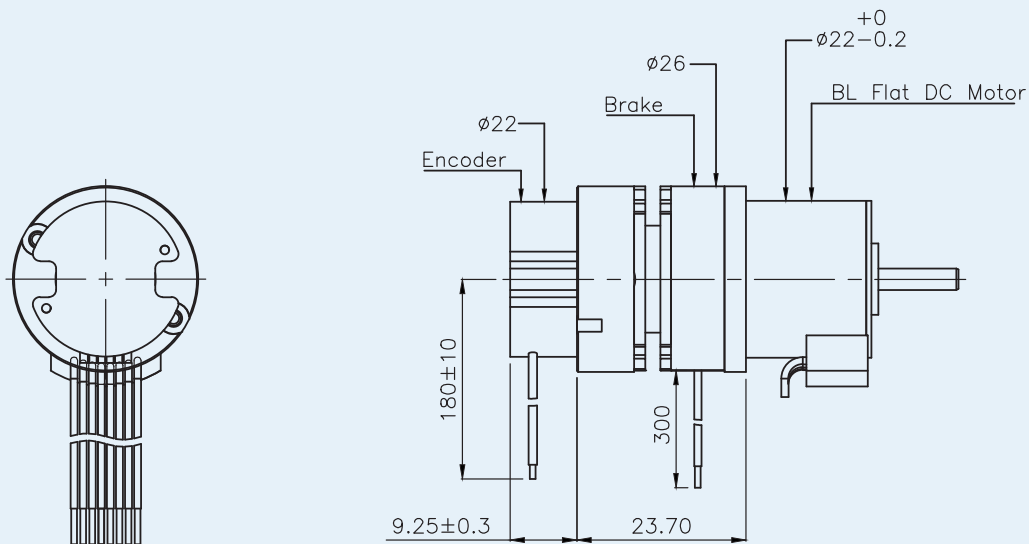
Brake + Encoders

power-off holding brake

PFB26E-24V

Brake		PFB26E-24V	Connection
Function		Power-off holding brake	
Rated Voltage	VDC	24	
Rated Static torque	mNm	60	
Rated current	A	0.6	
Rated power	W	14.5	
Moment of inertia	gcm ²	10	
Allowable speed	rpm	5000	
Weight	g	31	

Dimensional drawing A - 2214SXXXBXTH+PFB26E-24V+IE3-1024



Dimensional drawing B - 3216WXXXBXTH+PFB26E-24V+IE3-1024

