

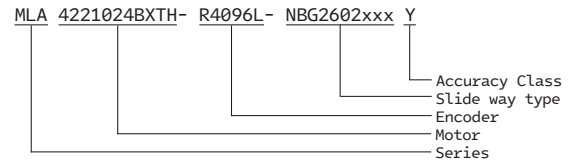
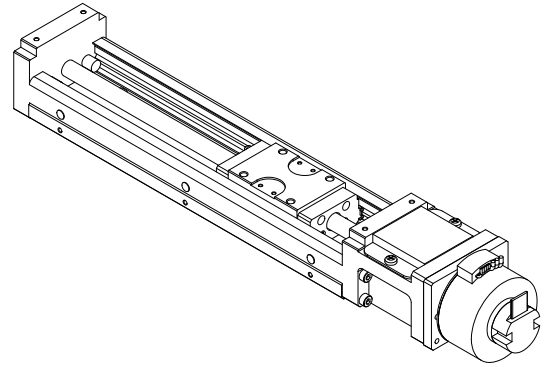
## MLA4221024BXTH-R4096L-NBG2602xxxY

推力 : 298 N

瞬間推力 : 1788 N

解析度 : 0.488 μm

連續移動速度 : 100 mm/s



搭配組合 Faulhaber 微型直流伺服馬達與高剛性線軌模組  
最緊湊體積下充分發揮空心杯馬達特性，完成高加減速，高速，高精度定位  
搭配控制器做閉迴路力量，速度與位置控制，同時具備多種通訊界面供選擇

日本 Nippon Bearing 特規線軌模組  
達高剛性、高穩定性與高重現性之特性

另可選配更高解析度，保護蓋，煞車器與極限開關

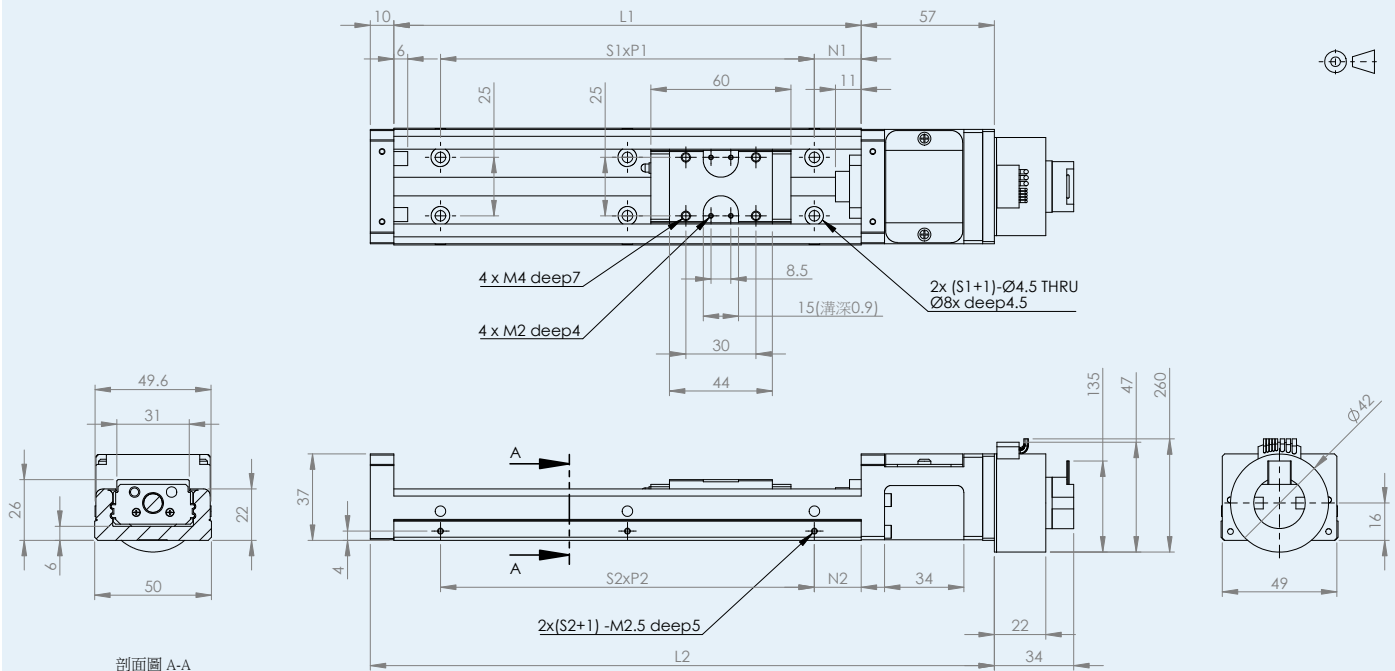
### Technical Specification

Nominal voltage	24		V
Nominal current	2.87		A
Terminal resistance	0.74		Ω
Ballscrew pitch	2		mm
Operation temperature range	-20 ... +80		°C
Continuous force	298		N
Peak force	1788		N
Continuous output speed, max	100		mm/s
Encoder resolution	4096		CPR
Linear resolution	0.488		μm
Accuracy class	H	P	
Accuracy	50	20	μm
Repeatability	±3	±1	μm
Slide guide backlash	5	0	μm

Slide way type	Stroke(mm)	L1 (mm)	L2 (mm)	N1 (mm)	S1xP1	N2 (mm)	S2xP2	Mass (kg)
NBG2602070	70	150	217	35	1x80	35	1x80	1.12
NBG2602120	120	200	267	20	2x80	20	2x80	1.33
NBG2602170	170	250	317	45	2x80	45	2x80	1.55
NBG2602220	220	300	367	30	3x80	30	3x80	1.76

## Dimensional drawing

Scale reduced mm



### Motor Pin Assignment

Connector Type : MOLEX 43025-0800

Yellow	Phase C
Orange	Phase B
Brown	Phase A
Black	GND
Red	Um(+5V)
Grey	Hall sensor C
Blue	Hall sensor B
Green	Hall sensor A

### Encoder Pin Assignment

Connector Type : DIN-41651

Pin 1	N.C.
Pin 2	UE
Pin 3	GND
Pin 4	N.C.
Pin 5	Ch A-
Pin 6	Ch A+
Pin 7	Ch B-
Pin 8	Ch B+
Pin 9	Ch I-
Pin 10	Ch I+

### Option

Controller	Encoder	Brake	Cable
MC 5004 C RS/CO MC 5004 C RS/CO AEMT MC 5004 C PDIO MC 5004 C ET MC 5004 C ET AEMT	IE3-1024L IEF3-4096L IER3-10000L AEMT-12/16 L	PFB29E-24V	延長連接線組, 耐繞曲線組 請諮詢服務業務
			<b>Others</b> 保護蓋、雙滑塊、極限開關選配