

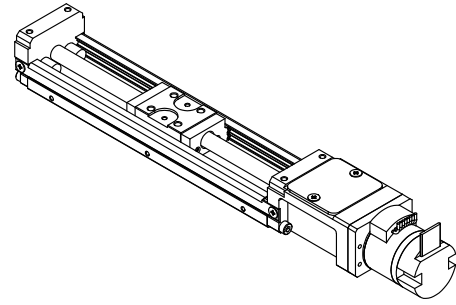
## MLA2214012BXTH-R4096L-NBG1502xxxY

推力 : 25 N

瞬間推力 : 150 N

解析度 : 0.488 μm

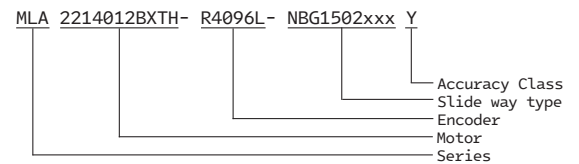
連續移動速度 : 100 mm/s



搭配組合 Faulhaber 微型直流伺服馬達與高剛性線軌模組  
最緊湊體積下充分發揮空心杯馬達特性，完成高加減速，高速，高精度定位  
搭配控制器做閉迴路力量，速度與位置控制，同時具備多種通訊界面供選擇

日本 Nippon Bearing 特規線軌模組  
達高剛性、高穩定性與高重現性之特性

另可選配更高解析度，保護蓋，煞車器與極限開關



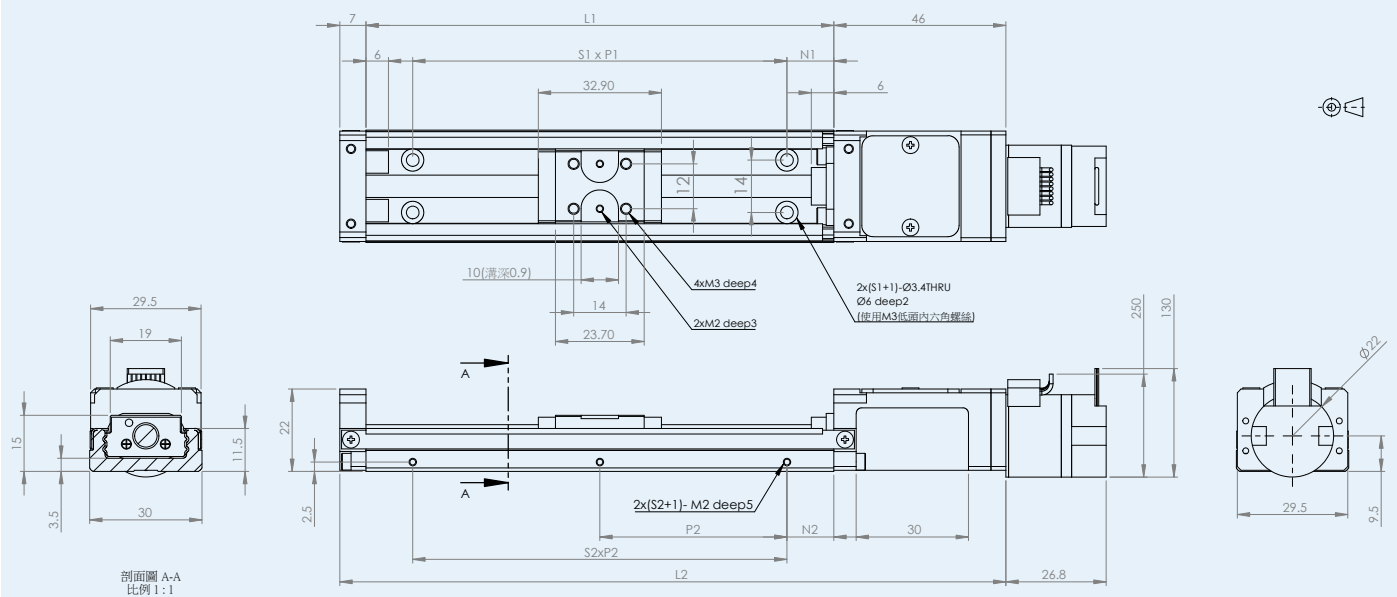
### Technical Specification

Nominal voltage	24		V
Nominal current	0.65		A
Terminal resistance	6.95		Ω
Ballscrew pitch	2		mm
Operation temperature range	-20 ... +80		°C
Continuous force	25		N
Peak force	150		N
Continuous output speed, max	100		mm/s
Encoder resolution	4096		CPR
Linear resolution	0.488		μm
Accuracy class	H	P	
Accuracy	40	20	μm
Repeatability	±3	±1	μm
Slide guide backlash	5	0	μm

Slide way type	Stroke(mm)	L1 (mm)	L2 (mm)	N1 (mm)	S1xP1	N2 (mm)	S2xP2	Mass (kg)
NBG1502030	30	75	128	12.5	1x50	12.5	1x50	0.27
NBG1502050	50	100	153	25	1x50	25	1x50	0.31
NBG1502080	80	125	177	12.5	2x50	12.5	2x50	0.34
NBG1502100	100	150	181	25	2x50	25	2x50	0.36
NBG1502130	130	175	227	12.5	3x50	12.5	3x50	0.42

## Dimensional drawing

Scale reduced mm



### Motor Pin Assignment

Connector Type : MOLEX 43025-0800

Yellow	Phase C
Orange	Phase B
Brown	Phase A
Black	GND
Red	Um(+5V)
Grey	Hall sensor C
Blue	Hall sensor B
Green	Hall sensor A

### Encoder Pin Assignment

Connector Type : DIN-41651

Pin 1	N.C.
Pin 2	UE
Pin 3	GND
Pin 4	N.C.
Pin 5	Ch A-
Pin 6	Ch A+
Pin 7	Ch B-
Pin 8	Ch B+
Pin 9	Ch I-
Pin 10	Ch I+

### Option

Controller	Encoder	Brake	Cable
MC 3001 S RS/CO MC 3001 C RS/CO AEMT MC 3001 C PDIO MC 3001 C4 RS/CO MC 5004 C ET MC 5004 C ET AEMT	IE3-1024L IEF3-4096L IER3-10000L AEMT-12/16 L	PFB26E-24V	延長連接線組, 耐繞曲線組 請諮詢服務業務
			<b>Others</b> 保護蓋、雙滑塊、極限開關選配