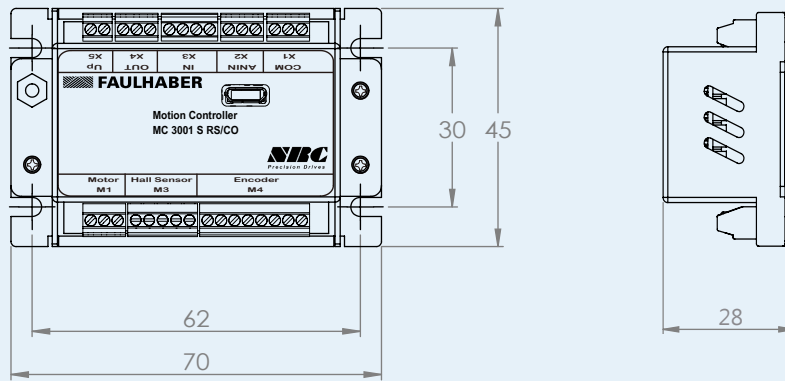


MC 3001 OPTIONAL

Optional cover for MC 3001

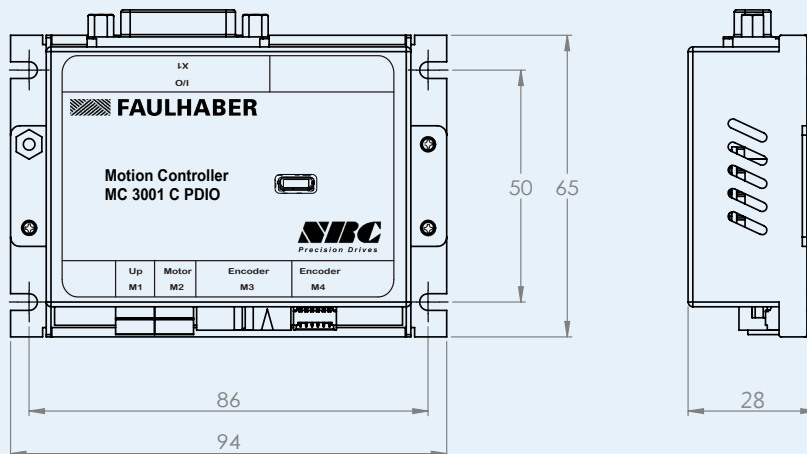
Optional cover

Scale reduced mm



Optional cover

Scale reduced mm



Optional cover

Scale reduced mm

