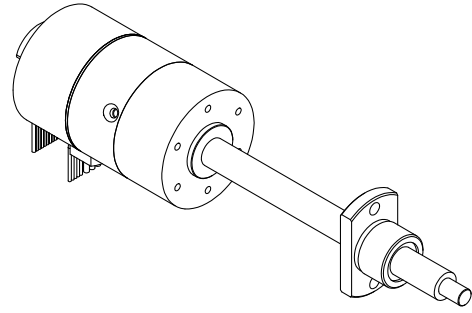


MBS4221024BXTH-R4096L-KSG1001xxxY

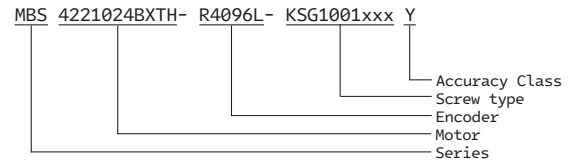
- 推力 : 520 N
- 瞬間推力 : 1560 N
- 解析度 : 0.244 μm
- 連續移動速度 : 50 mm/s



搭配組合 Faulhaber 微型直流伺服馬達與高精度直結滾珠螺桿
 內搭止推結構以增強連結強度
 最緊湊體積下充分發揮空心杯馬達特性，完成高加減速，高速，高精度定位
 搭配控制器做閉迴路力量，速度與位置控制，同時具備多種通訊界面供選擇

日本 KSS 特規滾珠螺桿，達高剛性、高穩定性與高重現性

另可選配更高解析度，煞車器與真空環境版本



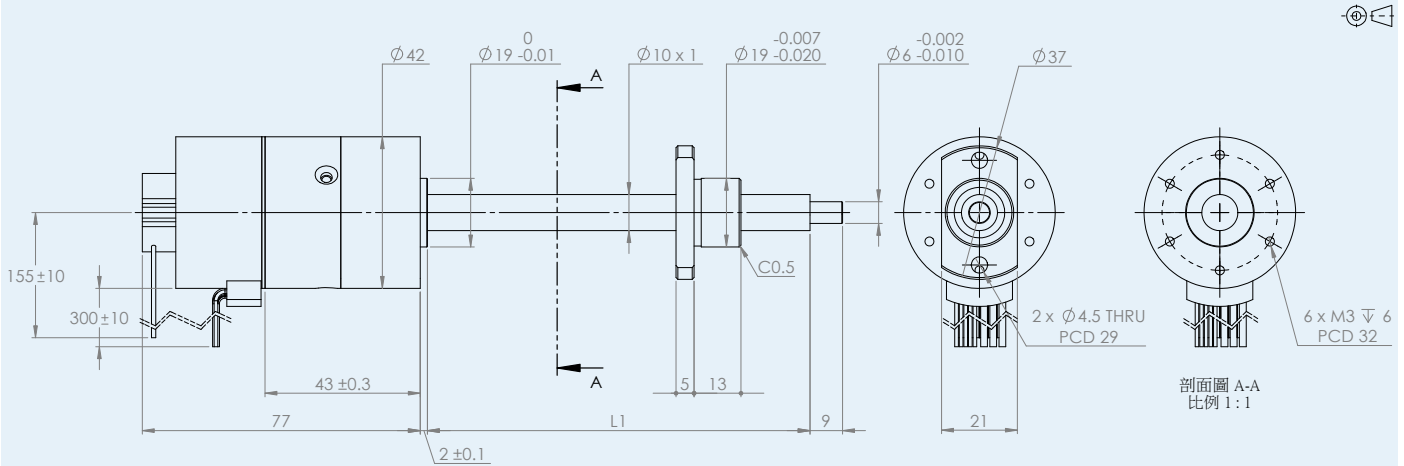
Technical Specification			
Nominal voltage	24	V	
Nominal current	2.87	A	
Terminal resistance	0.74	Ω	
Ballscrew shaft diameter	10	mm	
Ballscrew pitch	1	mm	
Operation temperature range	-20 ... +80	°C	
Continuous force	298	N	
Peak force	520	N	
Continuous output speed, max	50	mm/s	
Encoder resolution	4096	CPR	
Linear resolution	0.244	μm	
Accuracy class	H	P	
Accuracy*	40	20	μm
Repeatability*	±3	±1	μm
Nut backlash	5	0	μm
Screw material	SCM415H		
Nut material	SCM415H		

* 定位精度和重複定位精度為搭配廠內線性軌道測定數值

Screw type	Stroke(mm)	L1 (mm)	Mass (g)
KSG1001060	60	106	360
KSG1001110	110	156	390
KSG1001160	160	206	420
KSG1001210	210	256	450

Dimensional drawing

Scale reduced mm



Motor Pin Assignment

Connector Type : MOLEX 43025-0800

Yellow	Phase C
Orange	Phase B
Brown	Phase A
Black	GND
Red	Um(+5V)
Grey	Hall sensor C
Blue	Hall sensor B
Green	Hall sensor A

Encoder Pin Assignment

Connector Type : DIN-41651

Pin 1	N.C.
Pin 2	UE
Pin 3	GND
Pin 4	N.C.
Pin 5	Ch A-
Pin 6	Ch A+
Pin 7	Ch B-
Pin 8	Ch B+
Pin 9	Ch I-
Pin 10	Ch I+

Option

Controller	Encoder	Brake	Cable
MC 5004 C RS/CO MC 5004 C RS/CO AEMT MC 5004 C PDIO MC 5004 C ET MC 5004 C ET AEMT	IE3-1024L IEF3-4096L IER3-10000L AEMT-12/16 L	PFB29E-24V	延長連接線組，耐繞曲線組 請諮詢服務業務
			Others