

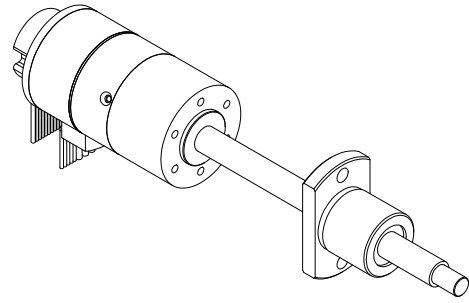
MBS3216012BXTH-R4096L-KSG0802xxxY

推力 : 100 N

瞬間推力 : 300 N

解析度 : 0.488 μm

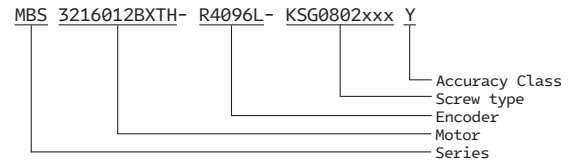
連續移動速度 : 100 mm/s



搭配組合 Faulhaber 微型直流伺服馬達與高精度直結滾珠螺桿
 內搭止推結構以增強連結強度
 最緊湊體積下充分發揮空心杯馬達特性，完成高加減速，高速，高精度定位
 搭配控制器做閉迴路力量，速度與位置控制，同時具備多種通訊界面供選擇

日本 KSS 特規滾珠螺桿，達高剛性、高穩定性與高重現性

另可選配更高解析度，煞車器與真空環境版本



Technical Specification

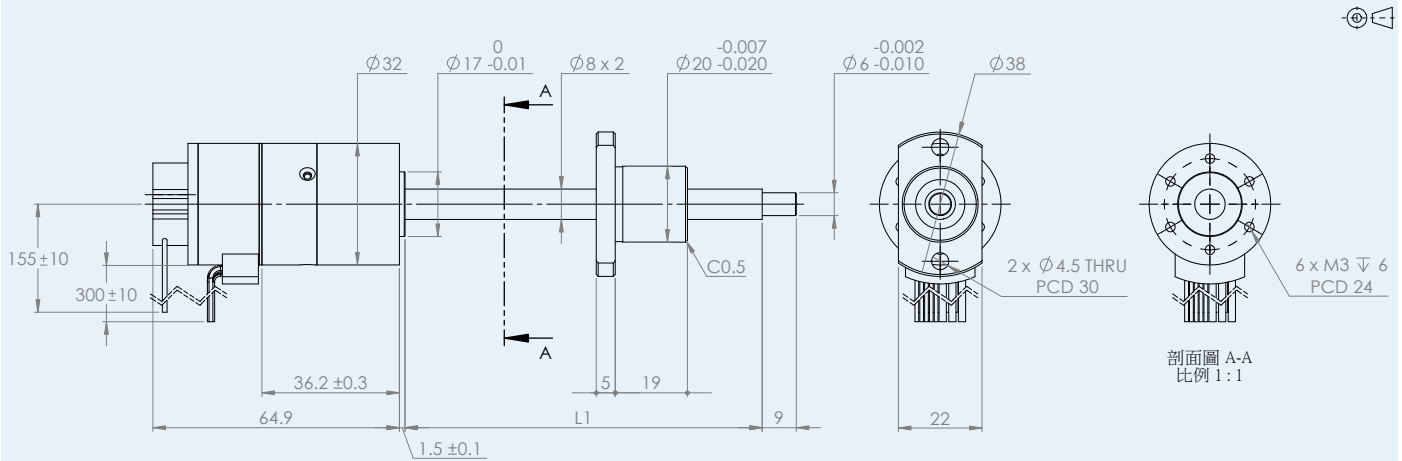
| | | | |
|------------------------------|-------------|----|------|
| Nominal voltage | 24 | | V |
| Nominal current | 2.18 | | A |
| Terminal resistance | 0.88 | | Ω |
| Ballscrew shaft diameter | 8 | | mm |
| Ballscrew pitch | 2 | | mm |
| Operation temperature range | -20 ... +80 | | °C |
| Continuous force | 100 | | N |
| Peak force | 300 | | N |
| Continuous output speed, max | 100 | | mm/s |
| Encoder resolution | 4096 | | CPR |
| Linear resolution | 0.488 | | μm |
| Accuracy class | H | P | |
| Accuracy* | 40 | 20 | μm |
| Repeatability* | ±3 | ±1 | μm |
| Nut backlash | 5 | 0 | μm |
| Screw material | SCM415H | | |
| Nut material | SCM415H | | |

* 定位精度和重複定位精度為搭配廠內線性軌道測定數值

| Screw type | Stroke(mm) | L1 (mm) | Mass (g) | | | | | |
|------------|------------|---------|----------|--|--|--|--|--|
| KSG0802040 | 40 | 94 | 175 | | | | | |
| KSG0802070 | 70 | 124 | 185 | | | | | |
| KSG0802100 | 100 | 154 | 195 | | | | | |
| KSG0802150 | 150 | 204 | 215 | | | | | |

Dimensional drawing

Scale reduced mm



Motor Pin Assignment

Connector Type : MOLEX 43025-0800

| | |
|--------|---------------|
| Yellow | Phase C |
| Orange | Phase B |
| Brown | Phase A |
| Black | GND |
| Red | Um(+5V) |
| Grey | Hall sensor C |
| Blue | Hall sensor B |
| Green | Hall sensor A |

Encoder Pin Assignment

Connector Type : DIN-41651

| | |
|--------|-------|
| Pin 1 | N.C. |
| Pin 2 | UE |
| Pin 3 | GND |
| Pin 4 | N.C. |
| Pin 5 | Ch A- |
| Pin 6 | Ch A+ |
| Pin 7 | Ch B- |
| Pin 8 | Ch B+ |
| Pin 9 | Ch I- |
| Pin 10 | Ch I+ |

Option

| Controller | Encoder | Brake | Cable |
|--|--|--------------------------|--------------------------|
| MC 5004 C RS/CO MC 5004 C RS/CO AEMT MC 5004 C PDIO MC 5004 C ET MC 5004 C ET AEMT | IE3-1024L IEF3-4096L IER3-10000L AEMT-12/16 L | PFB26E-24V PFB29E-24V | 延長連接線組, 耐繞曲線組 請諮詢服務業務 |
| | | | Others |