

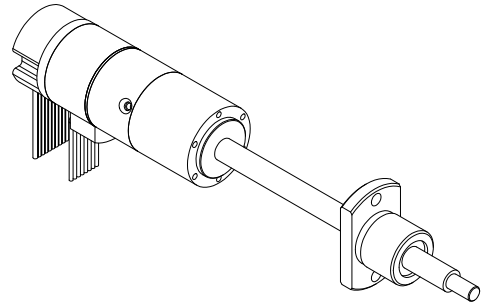
MBS2214012BXTH-R4096L-KSG0602xxxY

推力 : 25 N

瞬間推力 : 75 N

解析度 : 0.488 μm

連續移動速度 : 100 mm/s



搭配組合 Faulhaber 微型直流伺服馬達與高精度直結滾珠螺桿
 內搭止推結構以增強連結強度
 最緊湊體積下充分發揮空心杯馬達特性，完成高加減速，高速，高精度定位
 搭配控制器做閉迴路力量，速度與位置控制，同時具備多種通訊界面供選擇

日本 KSS 特規滾珠螺桿，達高剛性、高穩定性與高重現性

另可選配更高解析度，煞車器與真空環境版本



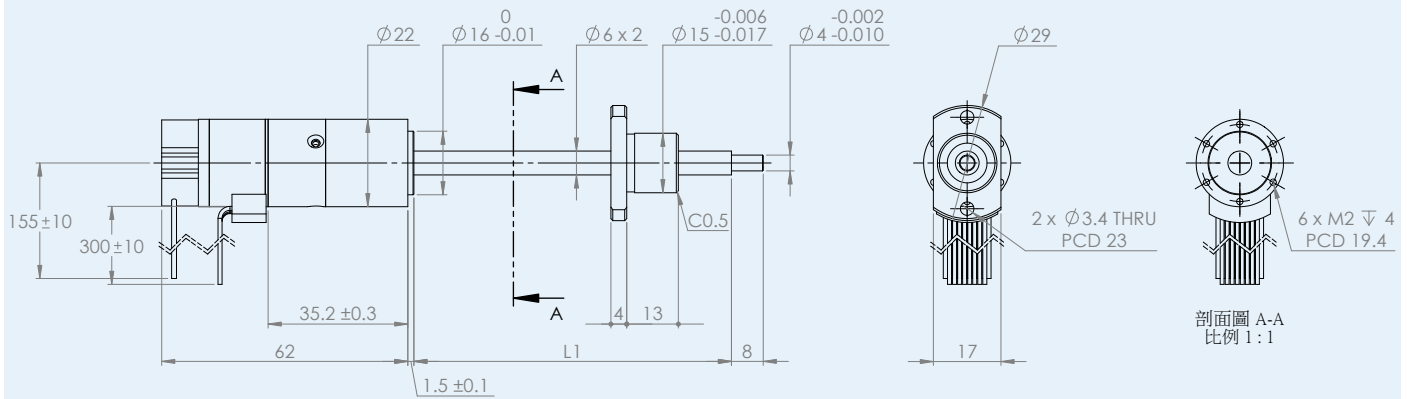
Technical Specification			
Nominal voltage	24		V
Nominal current	0.65		A
Terminal resistance	6.95		Ω
Ballscrew shaft diameter	6		mm
Ballscrew pitch	2		mm
Operation temperature range	-20 ... +80		°C
Continuous force	25		N
Peak force	75		N
Continuous output speed, max	100		mm/s
Encoder resolution	4096		CPR
Linear resolution	0.488		μm
Accuracy class	H	P	
Accuracy*	40	20	μm
Repeatability*	±3	±1	μm
Nut backlash	5	0	μm
Screw material	SCM415H		
Nut material	SCM415H		

* 定位精度和重複定位精度為搭配廠內線性軌道測定數值

Screw type	Stroke(mm)	L1 (mm)	Mass (g)					
KSG0602030	30	80	85					
KSG0602060	60	105	95					
KSG0602100	100	130	105					

Dimensional drawing

Scale reduced mm



Motor Pin Assignment

Connector Type : MOLEX 43025-0800

Yellow	Phase C
Orange	Phase B
Brown	Phase A
Black	GND
Red	Um(+5V)
Grey	Hall sensor C
Blue	Hall sensor B
Green	Hall sensor A

Encoder Pin Assignment

Connector Type : DIN-41651

Pin 1	N.C.
Pin 2	UE
Pin 3	GND
Pin 4	N.C.
Pin 5	Ch A-
Pin 6	Ch A+
Pin 7	Ch B-
Pin 8	Ch B+
Pin 9	Ch I-
Pin 10	Ch I+

Option

Controller	Encoder	Brake	Cable
MC 3001 S RS/CO MC 3001 C RS/CO AEMT MC 3001 C PDIO MC 3001 C4 RS/CO MC 5004 C ET MC 5004 C ET AEMT	IE3-1024L IEF3-4096L IER3-10000L AEMT-12/16 L	PFB26E-24V	延長連接線組, 耐繞曲線組 請諮詢服務業務
			Others