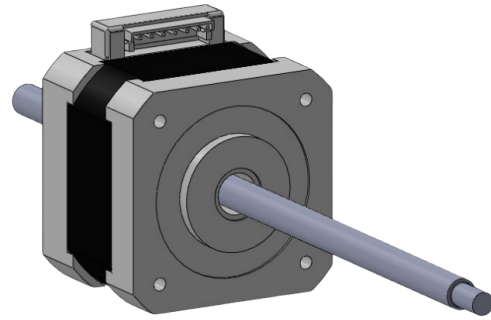


## LAST4233□-OR200-LS0602xxxS

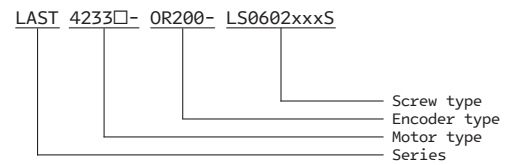
推力 : 258 N

連續移動速度 : 55 mm/s



兩相式貫通步進馬達，於其內部結構安裝螺母  
 搭配螺桿直驅致動器的效果，安裝結構單純簡單  
 方便使用，給在極限空間內另一種解決方案

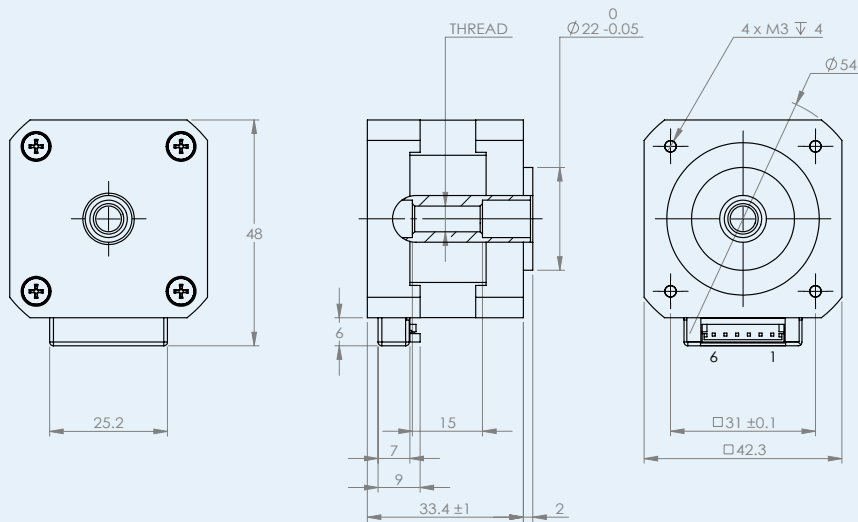
另可選配編碼器



| Technical Specification      |                         |      |
|------------------------------|-------------------------|------|
| Nominal voltage              | 24                      | V    |
| Nominal current              | 0.7                     | A    |
| Terminal resistance          | 9.3                     | Ω    |
| Leadscrew diameter           | M6                      | mm   |
| Leadscrew pitch              | 2                       | mm   |
| Leadscrew length             | customized              | mm   |
| Operation temperature range  | -20 ... +50             | °C   |
| Force                        | 258                     | N    |
| Continuous output speed, max | 55                      | mm/s |
| Step angle (full step)       | 1.8                     | °    |
| Motor type                   | two phase stepper motor |      |

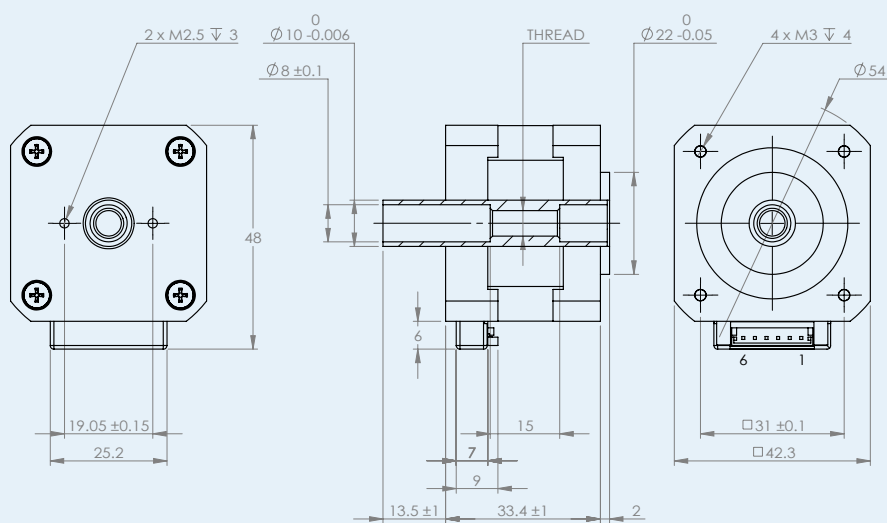
## Dimensional drawing (LAST4233A-OR200-LS0602xxxS)

Scale reduced mm



## Dimensional drawing (LAST4233B-OR200-LS0602xxxS)

Scale reduced mm



### Motor Pin Assignment

Motor Connector Type : MOLEX 53253 0670

Wire Connector Types : MOLEX 51065 0600 (AWG26)

| Pin   | Color | Assignment |
|-------|-------|------------|
| Pin 1 | N.C.  | N.C.       |
| Pin 2 | Black | A+         |
| Pin 3 | Green | A-         |
| Pin 4 | Red   | B+         |
| Pin 5 | Blue  | B-         |
| Pin 6 | N.C.  | N.C.       |

### Option

Encoder

Cable

0.5 m  
1.5 m