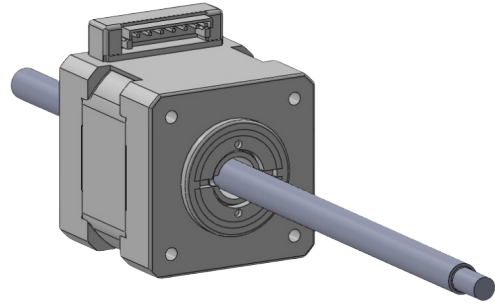


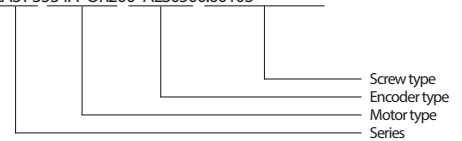
## LAST3534A-OR200-ALS0500.6010S

推力 : 242 N

連續移動速度 : 13 mm/s



LAST 3534A- OR200- ALS0500.6010S



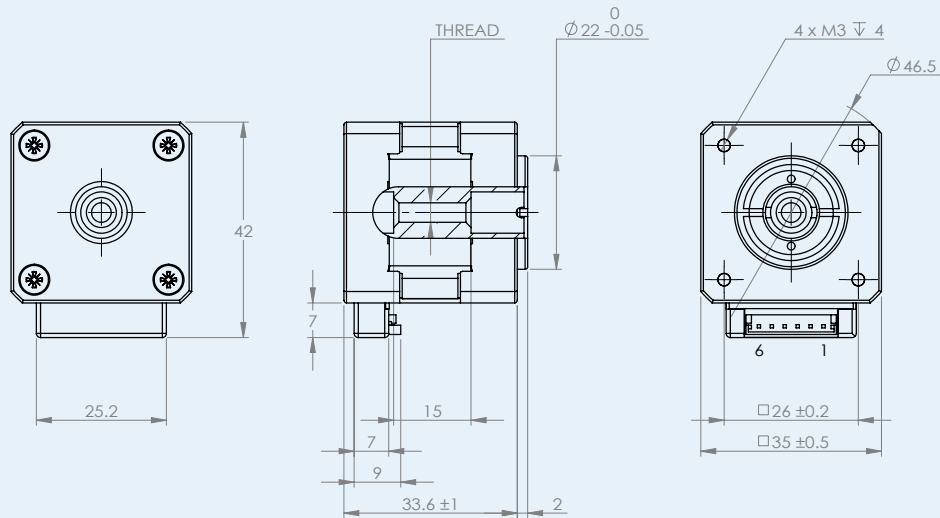
兩相式貫通步進馬達，於其內部結構安裝螺母，搭配螺桿直驅致動器的效果，安裝結構單純簡單，方便使用，給在極限空間內另一種解決方案。

另可選配編碼器

Technical Specification		
Nominal voltage	24	V
Nominal current	1.2	A
Terminal resistance	1.85	$\Omega$
Leadscrew diameter	M5.56	mm
Leadscrew pitch	0.61	mm
Leadscrew length	customized	mm
Operation temperature range	-20 ... +50	$^{\circ}\text{C}$
Force	242	N
Continuous output speed, max	13	mm/s
Step angle (full step)	1.8	$^{\circ}$
Motor type	two phase stepper motor	

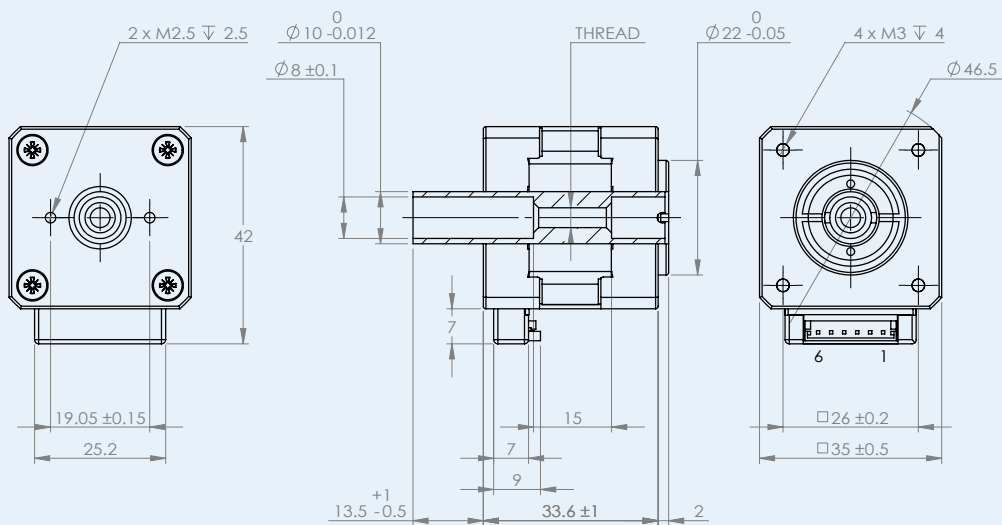
## Dimensional drawing (LAST3534A-OR200-ALS0500.6010S)

Scale reduced mm



## Dimensional drawing (LAST3534B-OR200-ALS0500.6010S)

Scale reduced mm



### Motor Pin Assignment

Motor Connector Type : JST B6B-EH-A

Wire Connector Types : JST EHR-6 (AWG26)

Pin	Color	Signal
Pin 1	N.C.	N.C.
Pin 2	Black	A+
Pin 3	Green	A-
Pin 4	Red	B+
Pin 5	Blue	B-
Pin 6	N.C.	N.C.

### Option

Encoder

Cable

0.5 m  
1.5 m