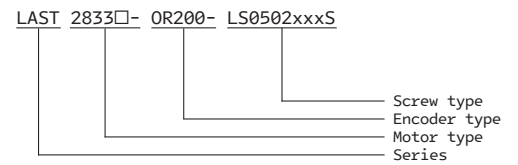
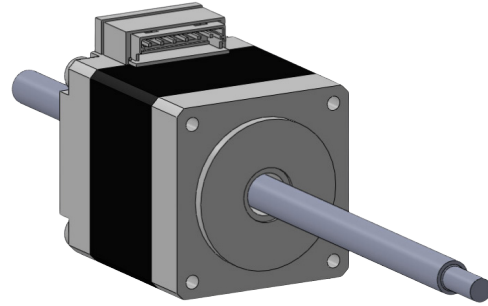


LAST2833□-OR200-LS0502xxxS

推力 : 93 N

連續移動速度 : 35 mm/s



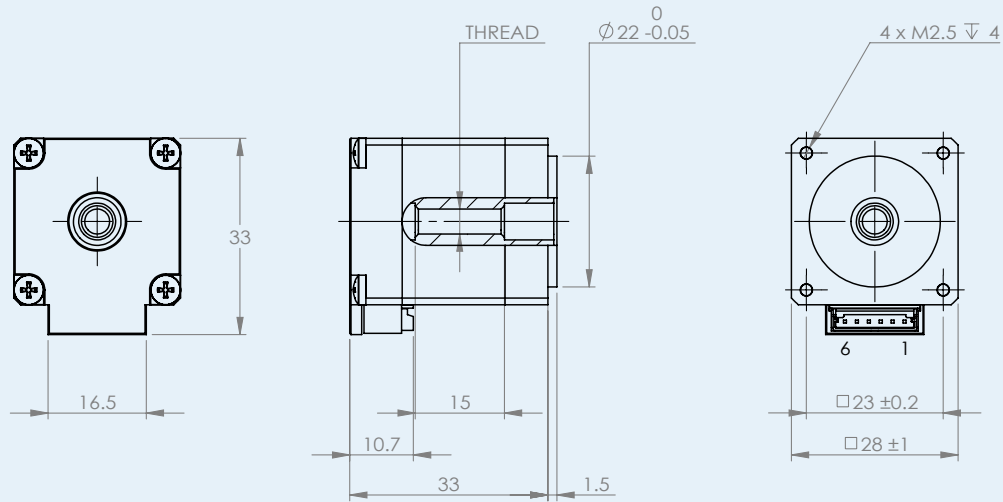
兩相式貫通步進馬達，於其內部結構安裝螺母
 搭配螺桿直驅致動器的效果，安裝結構單純簡單
 方便使用，給在極限空間內另一種解決方案

另可選配編碼器

Technical Specification		
Nominal voltage	24	V
Nominal current	1	A
Terminal resistance	2.7	Ω
Leadscrew diameter	M5	mm
Leadscrew pitch	2	mm
Leadscrew length	customized	mm
Operation temperature range	-20 ... +50	°C
Force	93	N
Continuous output speed, max	35	mm/s
Step angle (full step)	1.8	°
Motor type	two phase stepper motor	

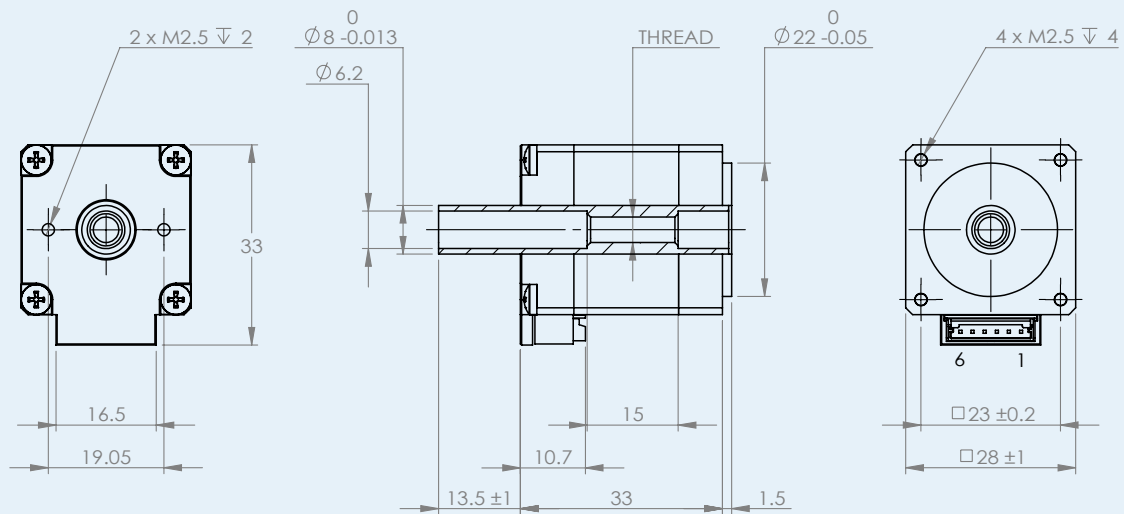
Dimensional drawing (LAST2833A-OR200-LS0502xxxS)

Scale reduced mm



Dimensional drawing (LAST2833B-OR200-LS0502xxxS)

Scale reduced mm



Motor Pin Assignment

Motor Connector Type : MOLEX 53253 0670

Wire Connector Types : MOLEX 51065 0600 (AWG26)

Pin	Color	Assignment
Pin 1	Black	A+
Pin 2	N.C.	N.C.
Pin 3	Green	A-
Pin 4	Red	B+
Pin 5	N.C.	N.C.
Pin 6	Blue	B-

Option

Encoder

Cable

0.5 m
1.5 m