

MicNano

Micro to Nano

LAST

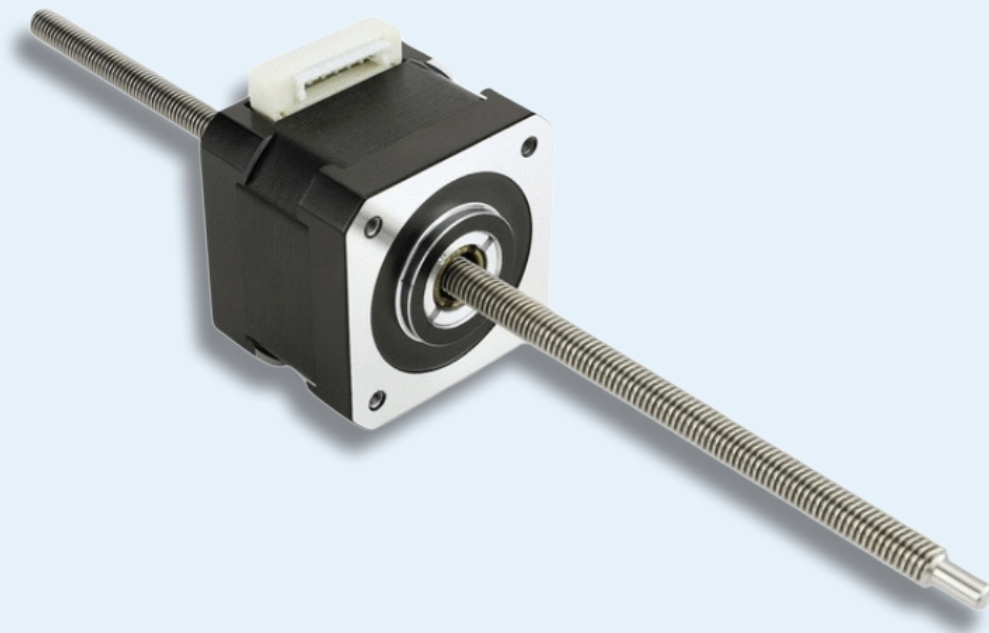
Non-Captive Actuator

貫通軸步進線性致動器

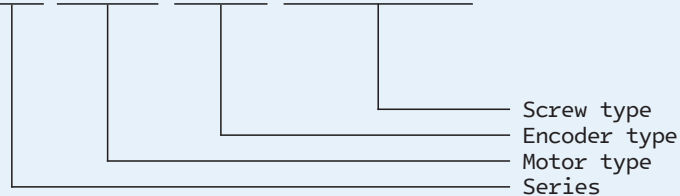
- 行程：~ 500 mm
 - 推力：~ 250 N
 - 速度：~ 100 mm/sec
-

兩相式貫通步進馬達，於其內部結構安裝螺母
搭配螺桿達直驅致動器的效果，安裝結構單純簡單
方便使用，給在極限空間內另一種解決方案

另可選配編碼器



LAST 2033□- OR200- LS03.501xxxS



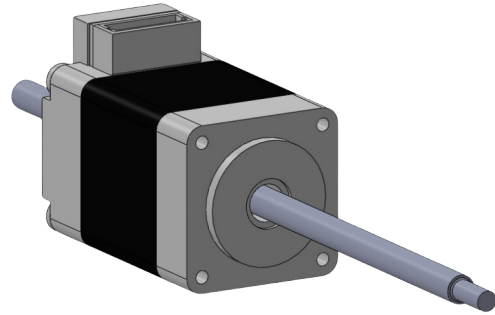
LAST Series | Non-Captive Actuator |

LAST2033□-OR200-LS03.501xxxS	80 - 81
LAST2833□-OR200-LS0502xxxS	82 - 83
LAST2833□-OR200-ALS0505xxxS	84 - 85
LAST3534□-OR200-LS0601xxxS	86 - 87
LAST3534□-OR200-ALS0606xxxS	88 - 89
LAST4233□-OR200-LS0602xxxS	90 - 91
LAST4233□-OR200-ALS0606xxxS	92 - 93

LAST2033□-OR200-LS03.501xxxS

推力 : 46 N

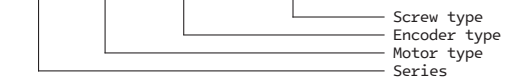
連續移動速度 : 40 mm/s



LAST 2033□- OR200- LS03.501xxxS

兩相式貫通步進馬達，於其內部結構安裝螺母
 搭配螺桿直驅致動器的效果，安裝結構單純簡單
 方便使用，給在極限空間內另一種解決方案

另可選配編碼器

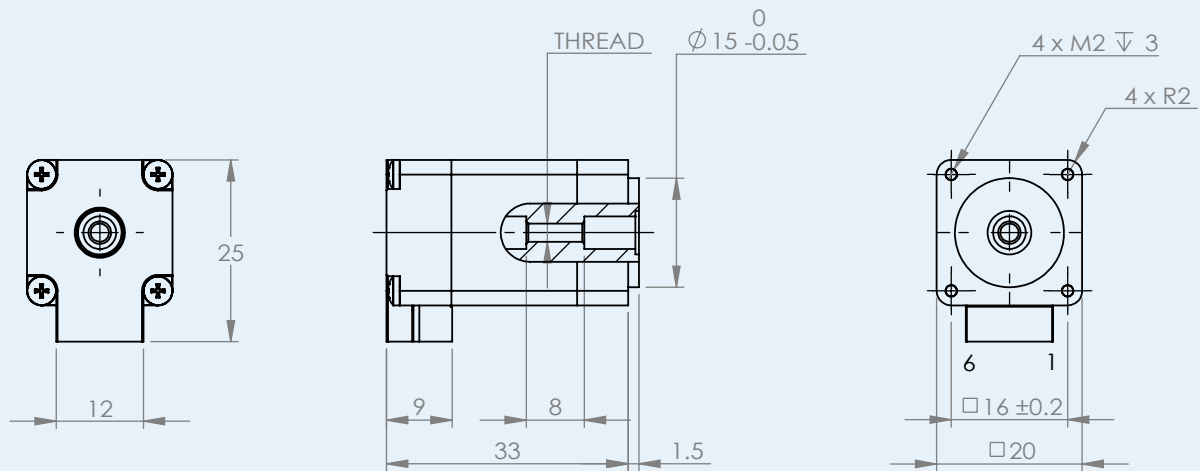


Technical Specification

Nominal voltage	24	V
Nominal current	0.6	A
Terminal resistance	6.4	Ω
Leadscrew diameter	M3.5	mm
Leadscrew pitch	1	mm
Leadscrew length	customized	mm
Operation temperature range	-20 ... +50	°C
Force	46	N
Continuous output speed, max	40	mm/s
Step angle (full step)	1.8	°
Motor type	two phase stepper motor	

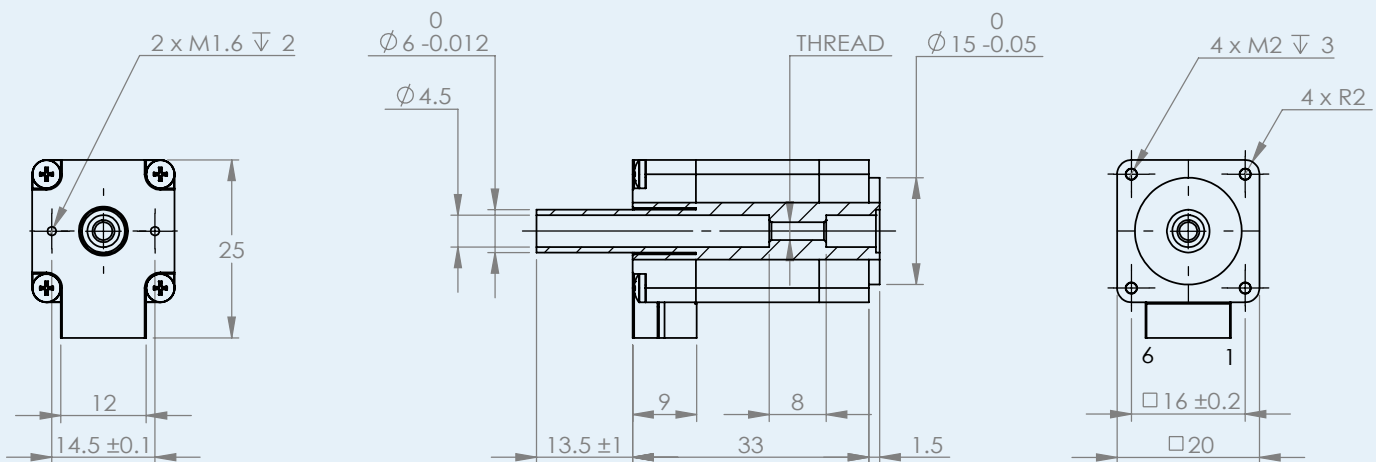
Dimensional drawing (LAST2033A-OR200-LS03.501xxxS)

Scale reduced mm



Dimensional drawing (LAST2033B-OR200-LS03.501xxxS)

Scale reduced mm



Motor Pin Assignment

Motor Connector Type : JST B6B-ZR

Wire Connector Types : JST ZH6-6 (AWG26)

Pin	Color	Assignment
Pin 1	Black	A+
Pin 2	N.C.	N.C.
Pin 3	Green	A-
Pin 4	Red	B+
Pin 5	N.C.	N.C.
Pin 6	Blue	B-

Option

Encoder

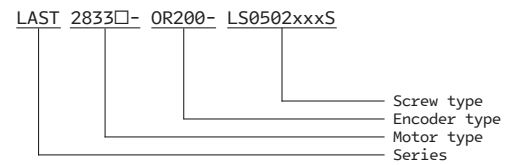
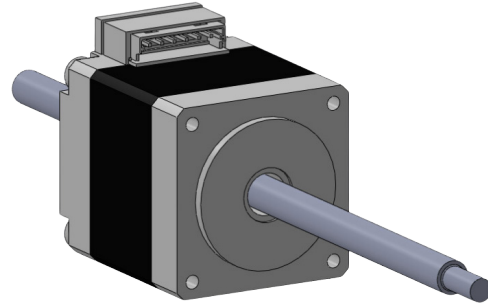
Cable

0.5 m
1.5 m

LAST2833□-OR200-LS0502xxxS

推力 : 93 N

連續移動速度 : 35 mm/s



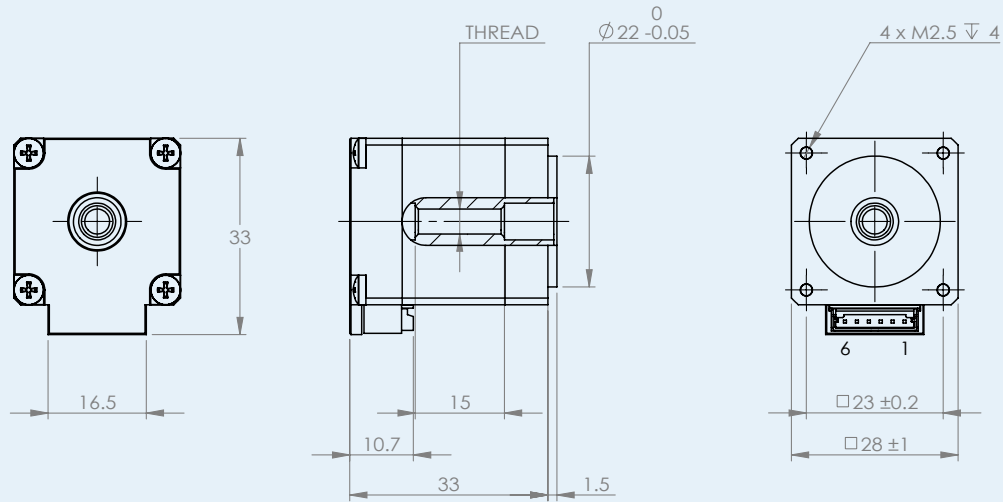
兩相式貫通步進馬達，於其內部結構安裝螺母
 搭配螺桿直驅致動器的效果，安裝結構單純簡單
 方便使用，給在極限空間內另一種解決方案

另可選配編碼器

Technical Specification		
Nominal voltage	24	V
Nominal current	1	A
Terminal resistance	2.7	Ω
Leadscrew diameter	M5	mm
Leadscrew pitch	2	mm
Leadscrew length	customized	mm
Operation temperature range	-20 ... +50	°C
Force	93	N
Continuous output speed, max	35	mm/s
Step angle (full step)	1.8	°
Motor type	two phase stepper motor	

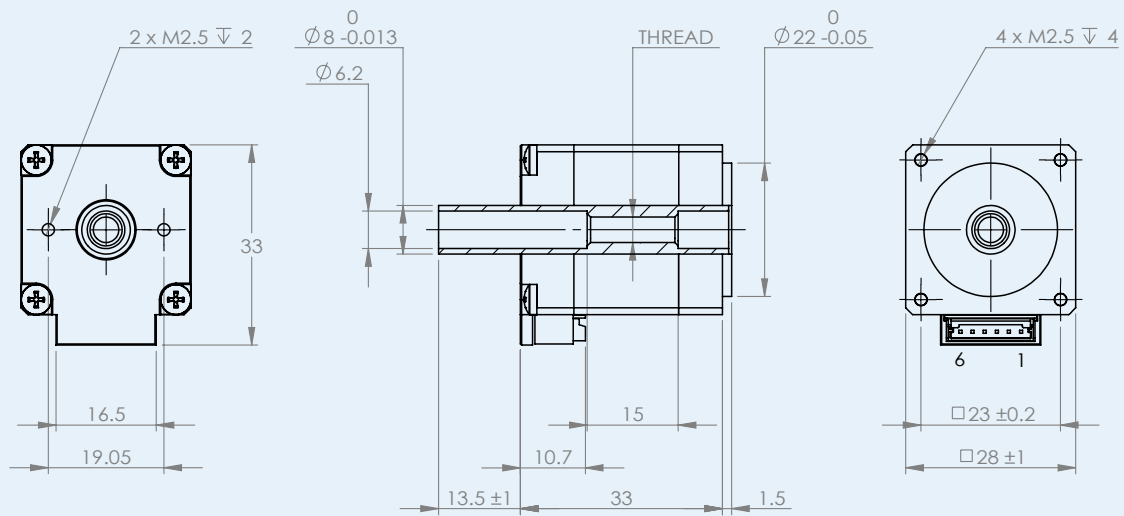
Dimensional drawing (LAST2833A-OR200-LS0502xxxS)

Scale reduced mm



Dimensional drawing (LAST2833B-OR200-LS0502xxxS)

Scale reduced mm

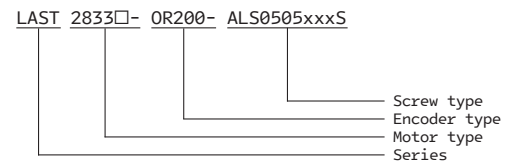
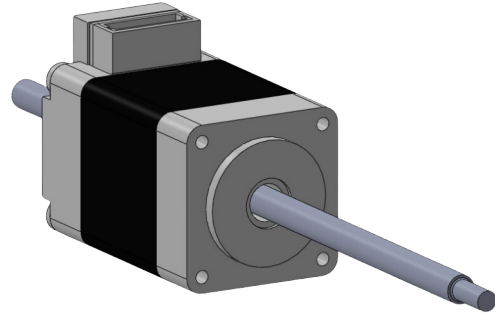


Motor Pin Assignment			Option	
Motor Connector Type : MOLEX 53253 0670			Encoder	Cable 0.5 m 1.5 m
Wire Connector Types : MOLEX 51065 0600 (AWG26)				
Pin 1	Black	A+		
Pin 2	N.C.	N.C.		
Pin 3	Green	A-		
Pin 4	Red	B+		
Pin 5	N.C.	N.C.		
Pin 6	Blue	B-		

LAST2833□-OR200-ALS0505xxxS

推力 : 50 N

連續移動速度 : 120 mm/s



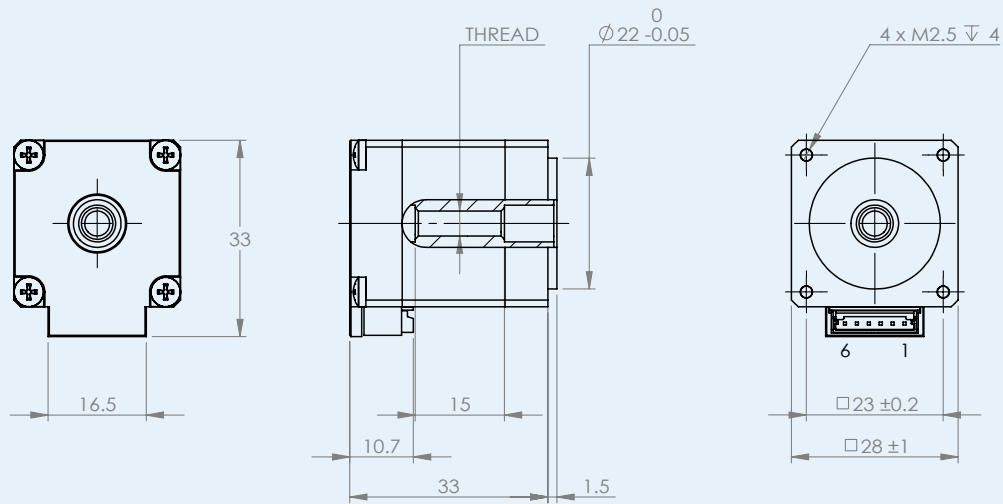
兩相式貫通步進馬達，於其內部結構安裝螺母
 搭配螺桿直驅致動器的效果，安裝結構單純簡單
 方便使用，給在極限空間內另一種解決方案

另可選配編碼器

Technical Specification		
Nominal voltage	24	V
Nominal current	1	A
Terminal resistance	2.7	Ω
Leadscrew diameter	M4.76, ACME	mm
Leadscrew pitch	5.08, ACME	mm
Leadscrew length	customized	mm
Operation temperature range	-20 ... +50	°C
Force	50	N
Continuous output speed, max	120	mm/s
Step angle (full step)	1.8	°
Motor type	two phase stepper motor	

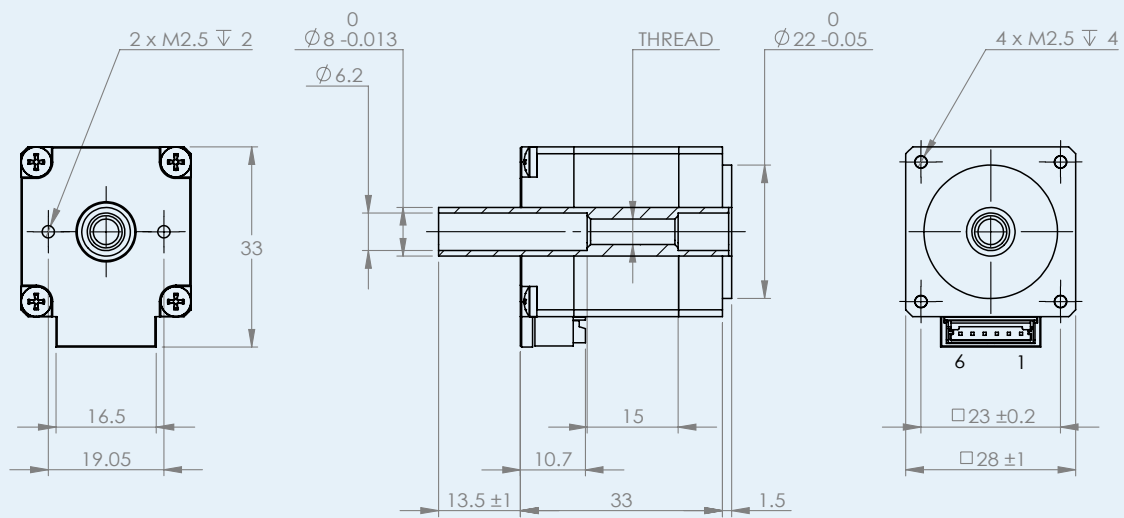
Dimensional drawing (LAST2833A-OR200-ALS0502xxxS)

Scale reduced mm



Dimensional drawing (LAST2833B-OR200-ALS0502xxxS)

Scale reduced mm



Motor Pin Assignment

Motor Connector Type : MOLEX 53253 0670

Wire Connector Types : MOLEX 51065 0600 (AWG26)

Pin	Color	Signal
Pin 1	Black	A+
Pin 2	N.C.	N.C.
Pin 3	Green	A-
Pin 4	Red	B+
Pin 5	N.C.	N.C.
Pin 6	Blue	B-

Option

Encoder

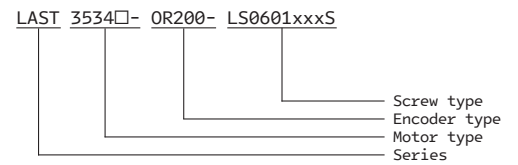
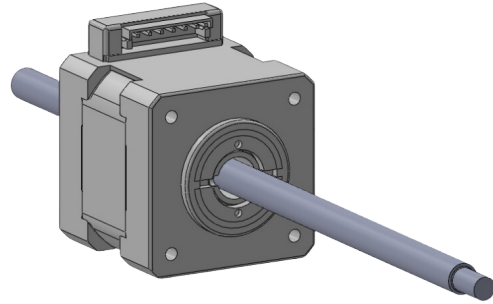
Cable

0.5 m
1.5 m

LAST3534□-OR200-LS0601xxxS

推力 : 220 N

連續移動速度 : 24 mm/s



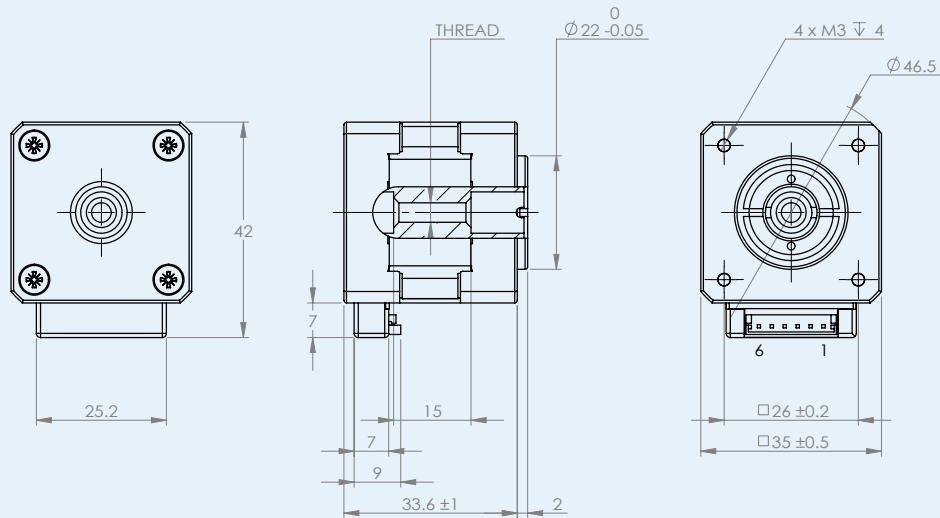
兩相式貫通步進馬達，於其內部結構安裝螺母
 搭配螺桿直驅致動器的效果，安裝結構單純簡單
 方便使用，給在極限空間內另一種解決方案

另可選配編碼器

Technical Specification		
Nominal voltage	24	V
Nominal current	1.2	A
Terminal resistance	1.85	Ω
Leadscrew diameter	M6	mm
Leadscrew pitch	1	mm
Leadscrew length	customized	mm
Operation temperature range	-20 ... +50	°C
Force	220	N
Continuous output speed, max	24	mm/s
Step angle (full step)	1.8	°
Motor type	two phase stepper motor	

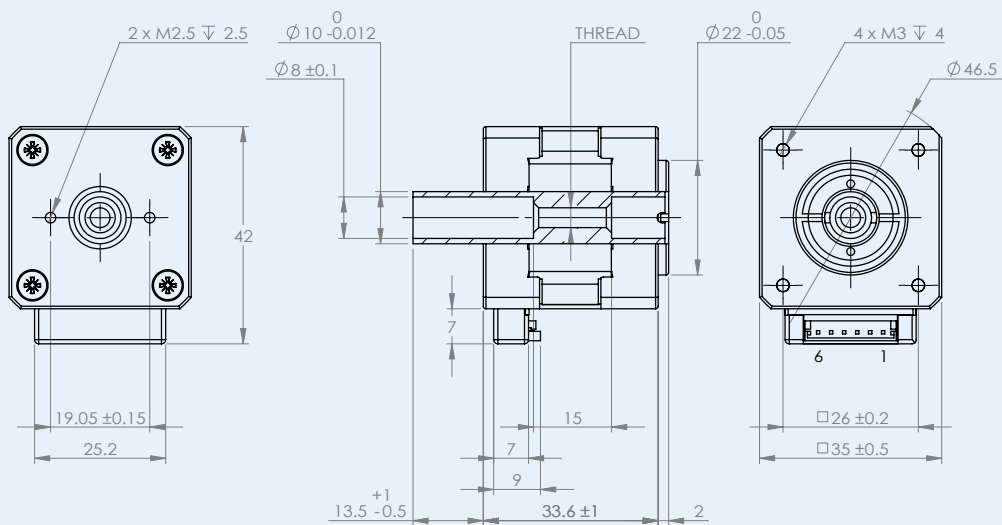
Dimensional drawing (LAST3534A-OR200-LS0601xxxS)

Scale reduced mm



Dimensional drawing (LAST3534B-OR200-LS0601xxxS)

Scale reduced mm



Motor Pin Assignment

Motor Connector Type : MOLEX 53253 0670

Wire Connector Types : MOLEX 51065 0600 (AWG26)

Pin	Color	Signal
Pin 1	N.C.	N.C.
Pin 2	Black	A+
Pin 3	Green	A-
Pin 4	Red	B+
Pin 5	Blue	B-
Pin 6	N.C.	N.C.

Option

Encoder

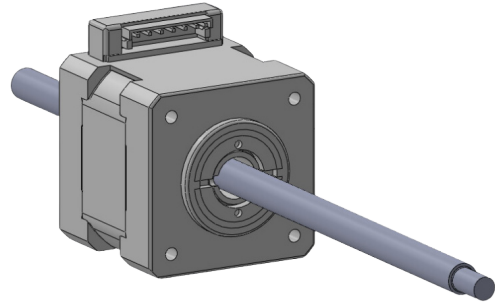
Cable

0.5 m
1.5 m

LAST3534□-OR200-ALS0606xxxS

推力 : 70 N

連續移動速度 : 100 mm/s



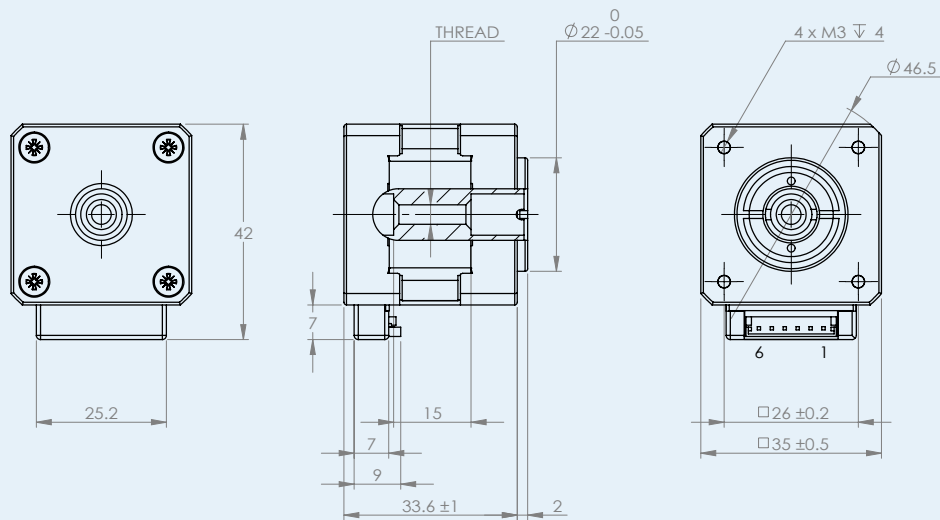
兩相式貫通步進馬達，於其內部結構安裝螺母
 搭配螺桿直驅致動器的效果，安裝結構單純簡單
 方便使用，給在極限空間內另一種解決方案

另可選配編碼器

Technical Specification		
Nominal voltage	24	V
Nominal current	1.2	A
Terminal resistance	1.85	Ω
Leadscrew diameter	M6.35	mm
Leadscrew pitch	6.35	mm
Leadscrew length	customized	mm
Operation temperature range	-20 ... +50	°C
Force	70	N
Continuous output speed, max	100	mm/s
Step angle (full step)	1.8	°
Motor type	two phase stepper motor	

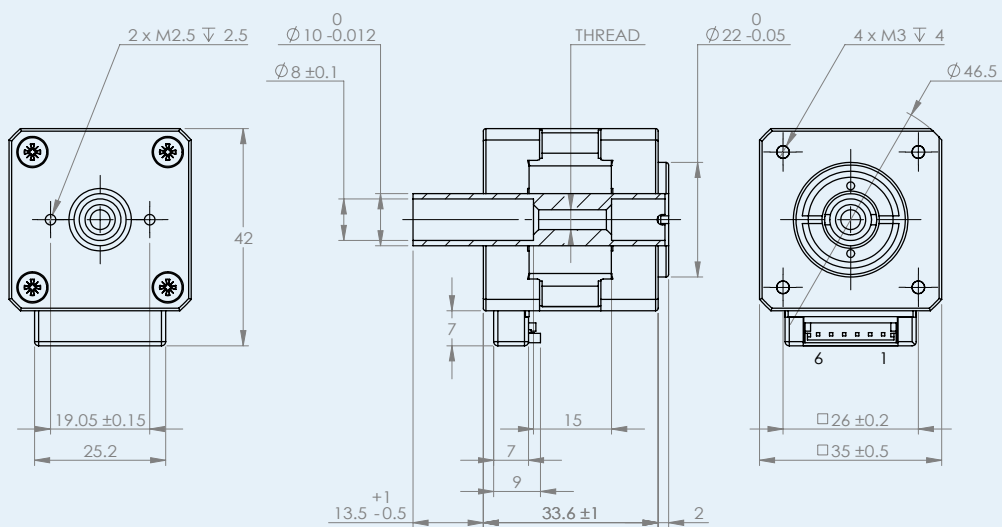
Dimensional drawing (LAST3534A-OR200-ALS0606xxxS)

Scale reduced mm



Dimensional drawing (LAST3534B-OR200-ALS0606xxxS)

Scale reduced mm



Motor Pin Assignment

Motor Connector Type : MOLEX 53253 0670

Wire Connector Types : MOLEX 51065 0600 (AWG26)

Pin	Color	Signal
Pin 1	N.C.	N.C.
Pin 2	Black	A+
Pin 3	Green	A-
Pin 4	Red	B+
Pin 5	Blue	B-
Pin 6	N.C.	N.C.

Option

Encoder

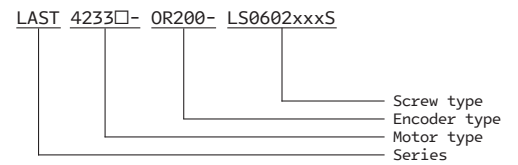
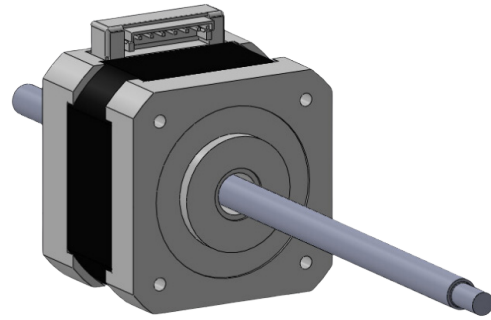
Cable

0.5 m
1.5 m

LAST4233□-OR200-LS0602xxxS

推力 : 258 N

連續移動速度 : 55 mm/s



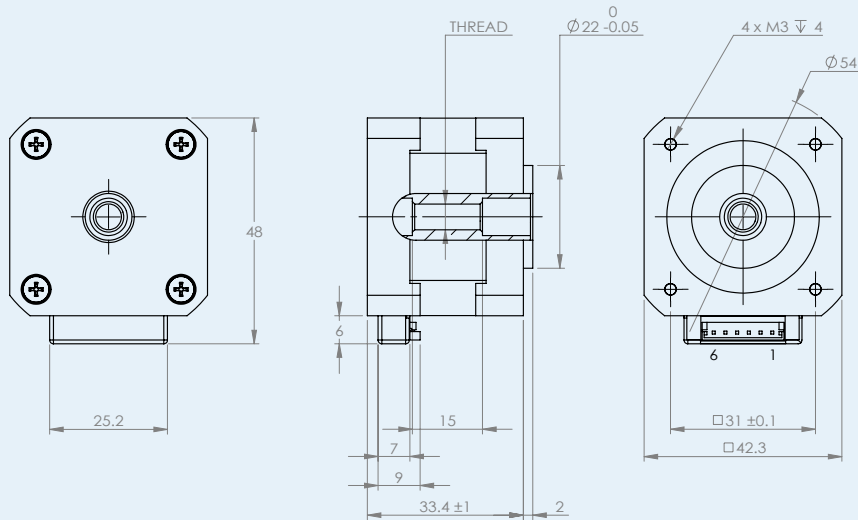
兩相式貫通步進馬達，於其內部結構安裝螺母
 搭配螺桿直驅致動器的效果，安裝結構單純簡單
 方便使用，給在極限空間內另一種解決方案

另可選配編碼器

Technical Specification		
Nominal voltage	24	V
Nominal current	0.7	A
Terminal resistance	9.3	Ω
Leadscrew diameter	M6	mm
Leadscrew pitch	2	mm
Leadscrew length	customized	mm
Operation temperature range	-20 ... +50	°C
Force	258	N
Continuous output speed, max	55	mm/s
Step angle (full step)	1.8	°
Motor type	two phase stepper motor	

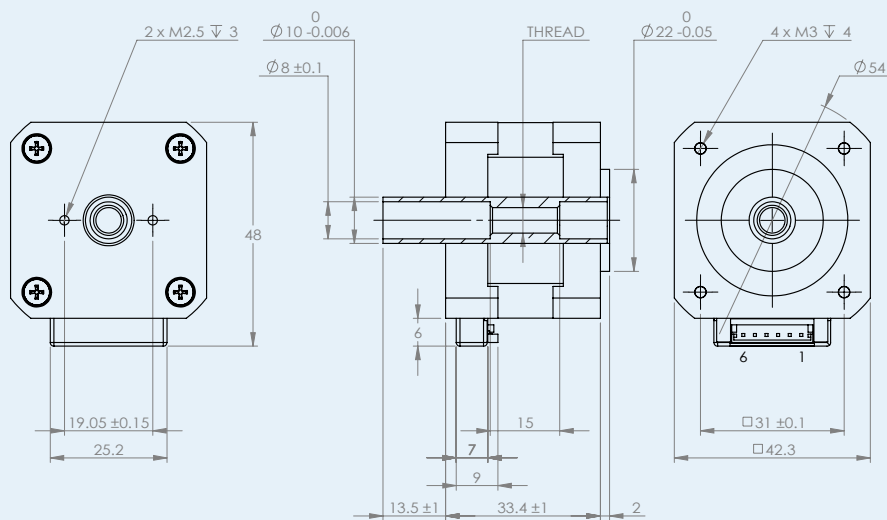
Dimensional drawing (LAST4233A-OR200-LS0602xxxS)

Scale reduced mm



Dimensional drawing (LAST4233B-OR200-LS0602xxxS)

Scale reduced mm



Motor Pin Assignment

Motor Connector Type : MOLEX 53253 0670

Wire Connector Types : MOLEX 51065 0600 (AWG26)

Pin	Color	Signal
Pin 1	N.C.	N.C.
Pin 2	Black	A+
Pin 3	Green	A-
Pin 4	Red	B+
Pin 5	Blue	B-
Pin 6	N.C.	N.C.

Option

Encoder

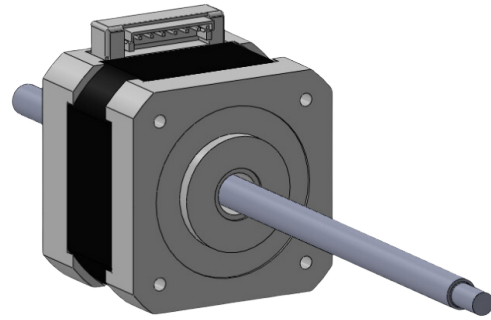
Cable

0.5 m
1.5 m

LAST4233□-OR200-ALS0606xxxS

推力 : 150 N

連續移動速度 : 80 mm/s



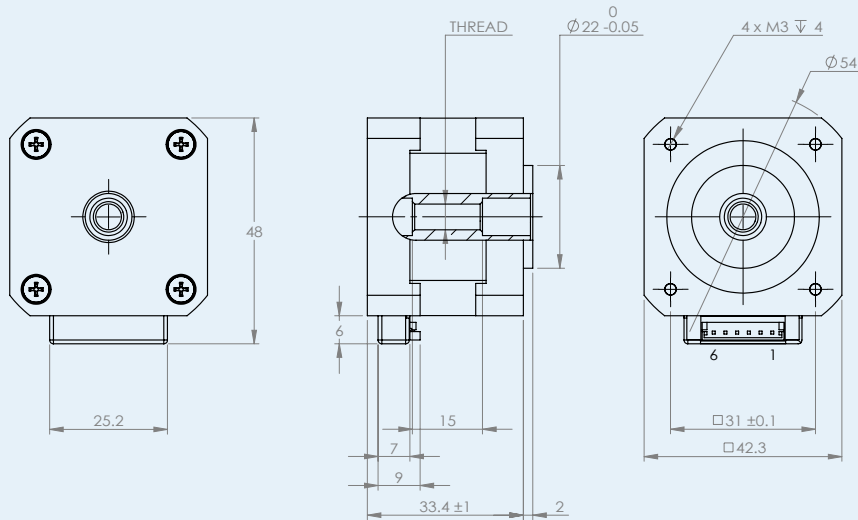
兩相式貫通步進馬達，於其內部結構安裝螺母
 搭配螺桿直驅致動器的效果，安裝結構單純簡單
 方便使用，給在極限空間內另一種解決方案

另可選配編碼器

Technical Specification		
Nominal voltage	24	V
Nominal current	0.7	A
Terminal resistance	9.3	Ω
Leadscrew diameter	M6.35	mm
Leadscrew pitch	6.35	mm
Leadscrew length	customized	mm
Operation temperature range	-20 ... +50	°C
Force	150	N
Continuous output speed, max	80	mm/s
Step angle (full step)	1.8	°
Motor type	two phase stepper motor	

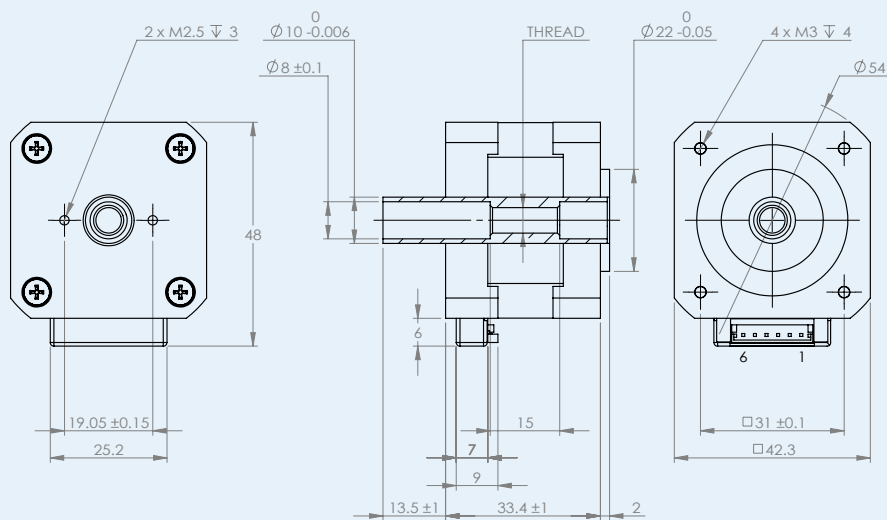
Dimensional drawing (LAST4233A-OR200-ALS0606xxxS)

Scale reduced mm



Dimensional drawing (LAST4233B-OR200-ALS0606xxxS)

Scale reduced mm



Motor Pin Assignment

Motor Connector Type : MOLEX 53253 0670

Wire Connector Types : MOLEX 51065 0600 (AWG26)

Pin	Color	Signal
Pin 1	N.C.	N.C.
Pin 2	Black	A+
Pin 3	Green	A-
Pin 4	Red	B+
Pin 5	Blue	B-
Pin 6	N.C.	N.C.

Option

Encoder

Cable

0.5 m
1.5 m